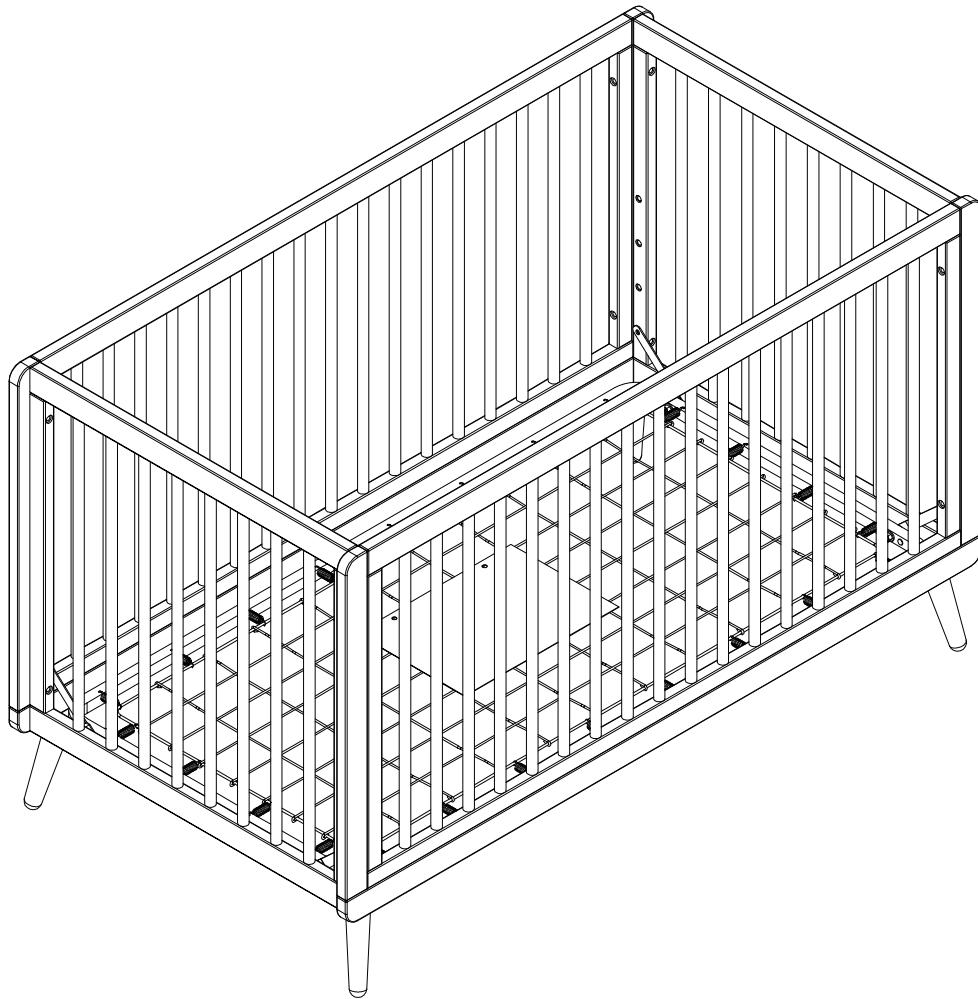


Albert Baby

Tatum A10101 Assembly Instructions

An ideal and comfort provider of modern nursery



Find more on our website

www.albert-baby.com

Email: support@albert-baby.com

**Albert Baby inc.
110 16th Street, Suite 1460 Denver CO 80202
360-559-2077**

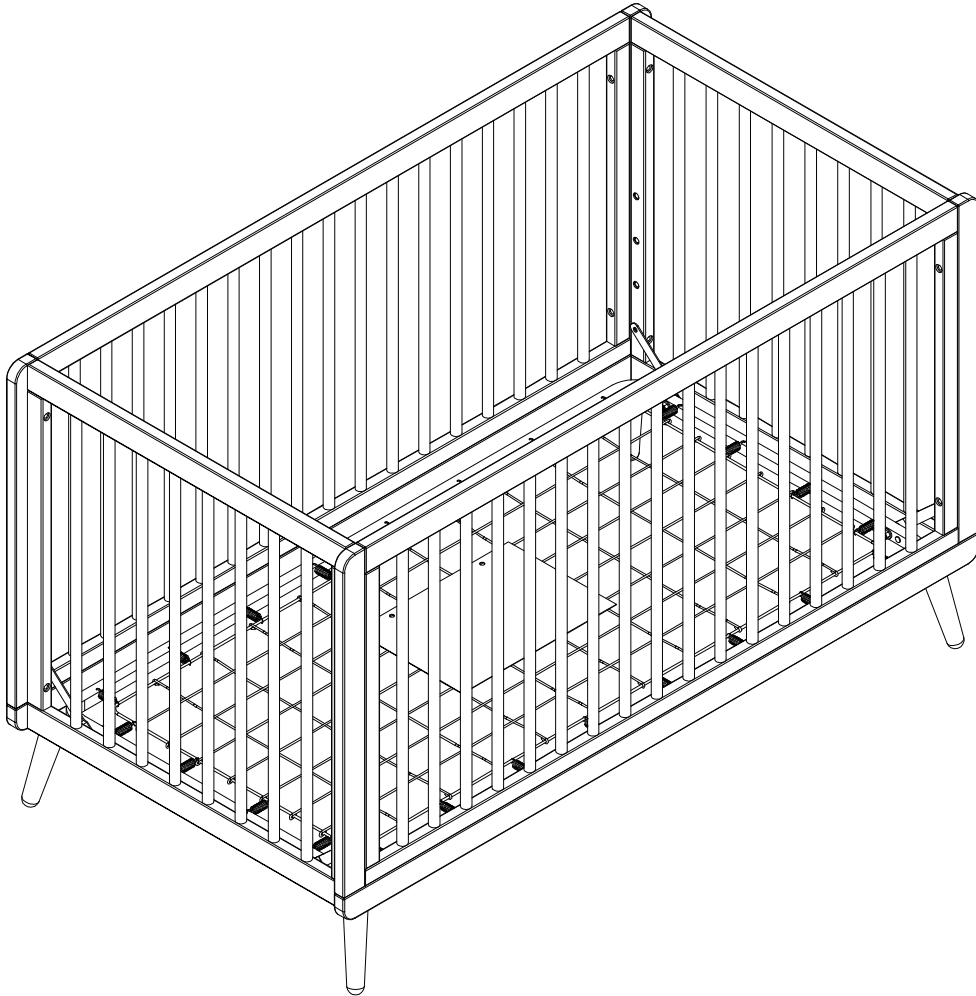
Crib Use Guides and Tips

01. Read all warnings and instructions before assembling this crib.
02. Adult assembly required.
03. Keep built-in hardware out of the reach of children.
04. Please do not put anything except the mattress in the crib.
05. Pillows, blankets, and stuffed toys pose a suffocation risk to babies and should never be used in a crib.
06. Do not place the crib near a window.
07. It is better for babies to sleep on their backs.
08. Do not allow your child to play with any part of the crib. Serious injury or death may occur from the furniture tipping over.
09. Do not place heavy items on the crib.
10. Put the heaviest items in the lowest drawer.
11. Remember to close the drawer when it is not in use.
12. Only open one drawer at a time.
13. Check that all parts and hardware are complete and in the correct quantity.
14. Do not assemble and use this crib if it has missing or damaged parts or hardware.
15. This crib has 4 adjustment positions: use the highest for newborns; move the mattress down when the child could roll over; then move down when the child could sit; and use the lowest position when the child could stand up.
16. Do not use a power drill to assemble this crib.
17. It is recommended to install on soft ground.

After completing the installation, remember to check:

1. Is all hardware installed tightly and correctly?
2. Are all parts installed correctly?
3. Is the parts installation direction correct?
4. Is the base height set correctly?

Crib



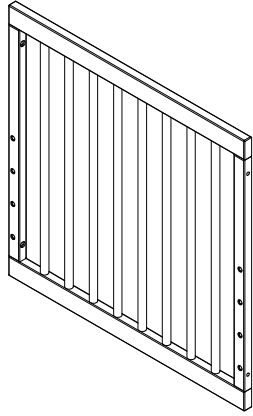
⚠ WARNING!

01. Failure to follow these warnings and the assembly instructions could result in serious **INJURY** or **DEATH**.
02. **READ ALL** instructions before assembling crib, keep instructions for future use.
03. **CAUTION:** Any mattress used in this crib shall be at least 27 1/4 inches (690 mm) by 51 5/8 inches (1310 mm). With a thickness not exceeding 6 inches (150 mm). When placing the mattress into the crib, ensure that the gap between the mattress and the sides of the crib does not exceed 1 3/16 inches (30 mm).

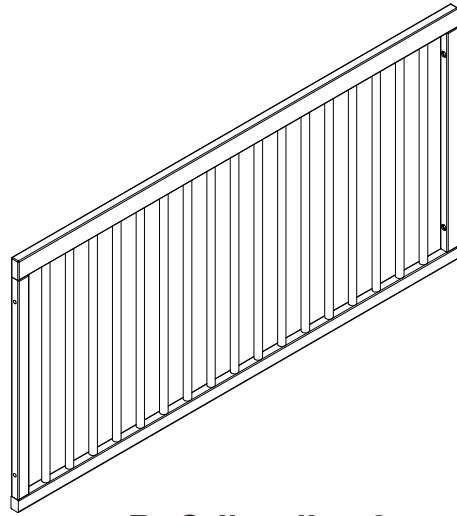
WARNING!

04. To reduce the risk of **SIDS**, pediatricians recommend healthy infants be placed on their backs to sleep, unless otherwise advised by your physician.
05. Infants can suffocate in gaps between crib sides and a mattress that is too small or too thick.
06. Infants can suffocate on soft bedding. **NEVER** add a pillow or comforter. **NEVER** place additional padding under an infant.
07. **NEVER** use plastic shipping bags or other plastic film as mattress covers because they can cause suffocation.
08. **Strangulation Hazard:** Strings can cause strangulation! **DO NOT** place items with a string around a child's neck, such as hood strings or pacifier cords. **DO NOT** suspend strings over a crib or attach strings to toys.
09. **Strangulation Hazard:** To help prevent strangulation tighten all fasteners. A child can trap parts of the body or clothing on loose fasteners.
10. **Strangulation Hazard:** **DO NOT** place crib near window where cords from blinds or drapes may strangle a child.
11. **Fall hazard:** When child is able to pull to a standing position, set mattress to lowest position and remove bumper pads, large toys and other objects that could serve as steps for climbing out.
12. **Fall hazard:** **STOP** using crib when child begins to climb out or reaches the height of 35 inches (890 mm).
13. Check this product for damaged hardware, loose joints, loose bolts or other fasteners, missing parts, or sharp edges before and after assembly and frequently during use.
14. **DO NOT** use the crib if any parts are missing, damaged, or broken. Contact us as soon as possible for the instructional literature or replacement parts if needed. Do not substitute parts.
15. Securely tighten loose bolts and other fasteners, and check the status frequently during use.
16. If refinishing, use a non-toxic finish specified for children's products.
17. Follow warnings on all products in a crib.

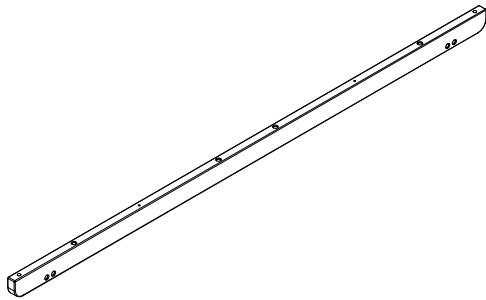
All parts



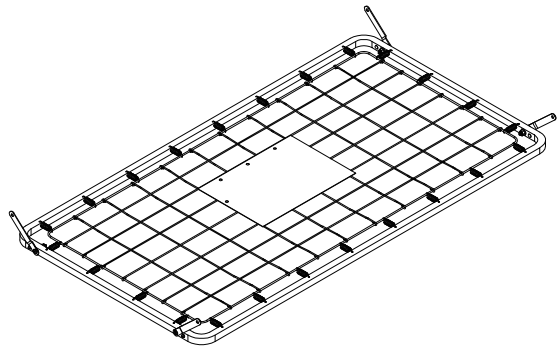
A. Crib End x 2



B. Crib rail x 2



C. Stabilizer Bar x 2



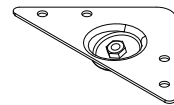
D. Mattress Support x 1



E. Left Bar x 2



F. Right Bar x 2

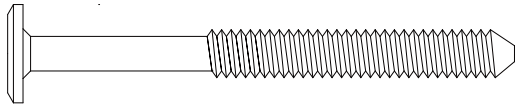
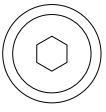


G. Foot Bracket x 4

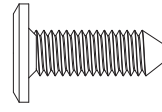
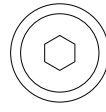


H. Foot x 4

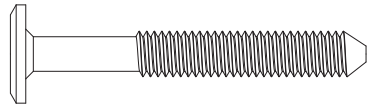
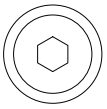
All hardware



I. M6 x 65 mm Bolt x 4



J. M6 x 18 mm Bolt x 20



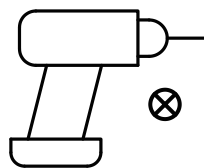
K. M6 x 45 mm Bolt x 16



L. Φ 4x30 mm Metal Pin x 4

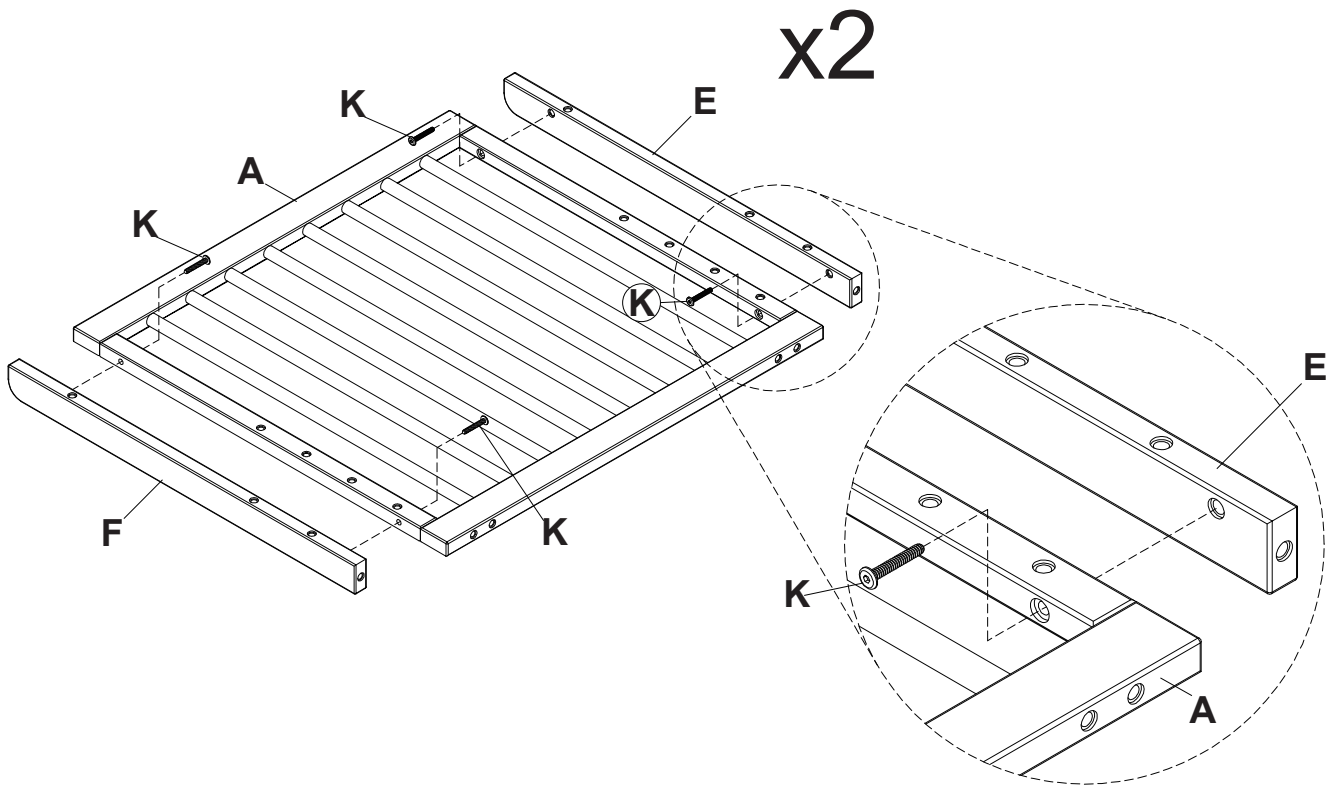


M4 Allen Wrench

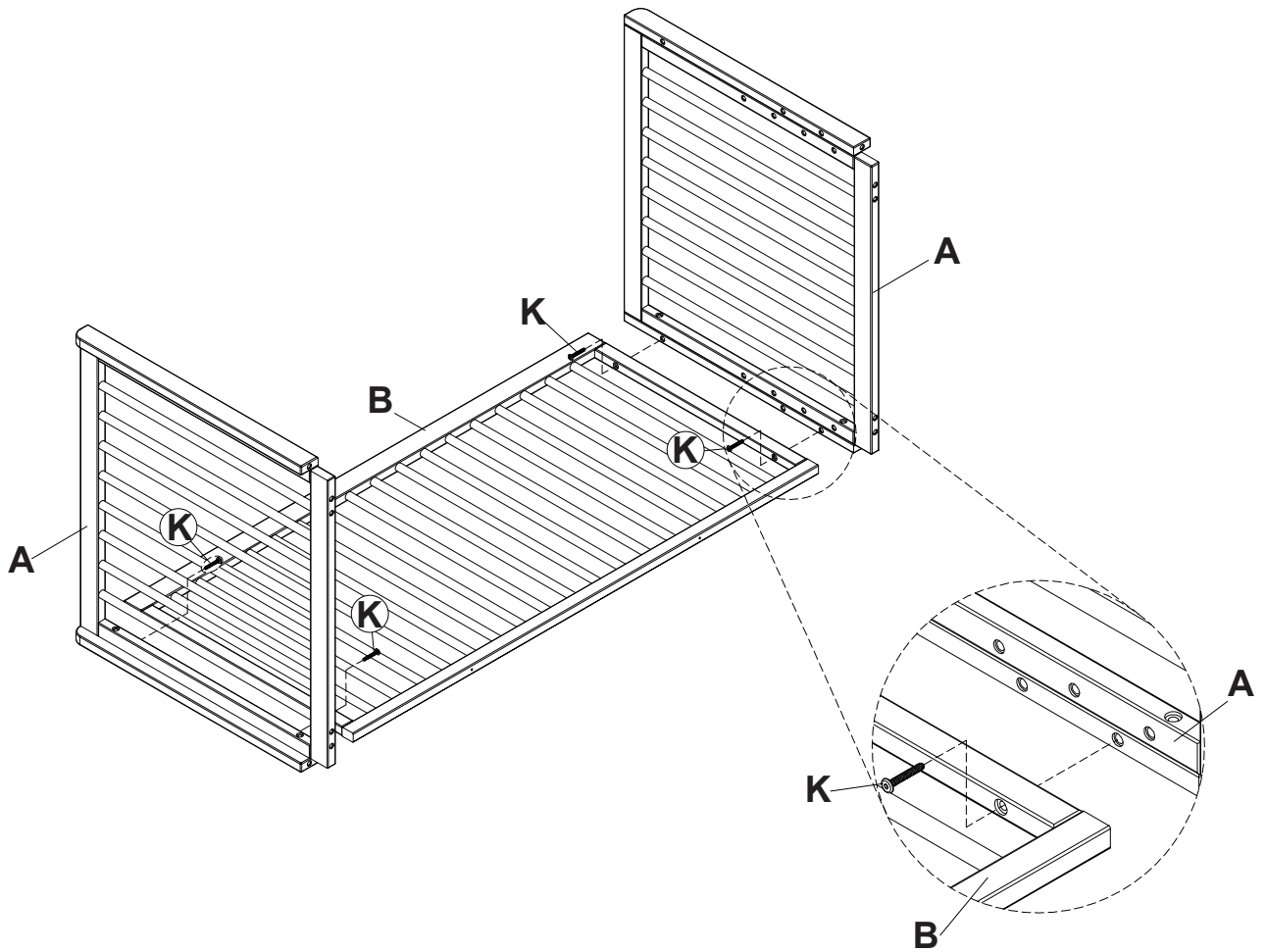


Do not use an electric drill or screwdriver to complete the assembly.

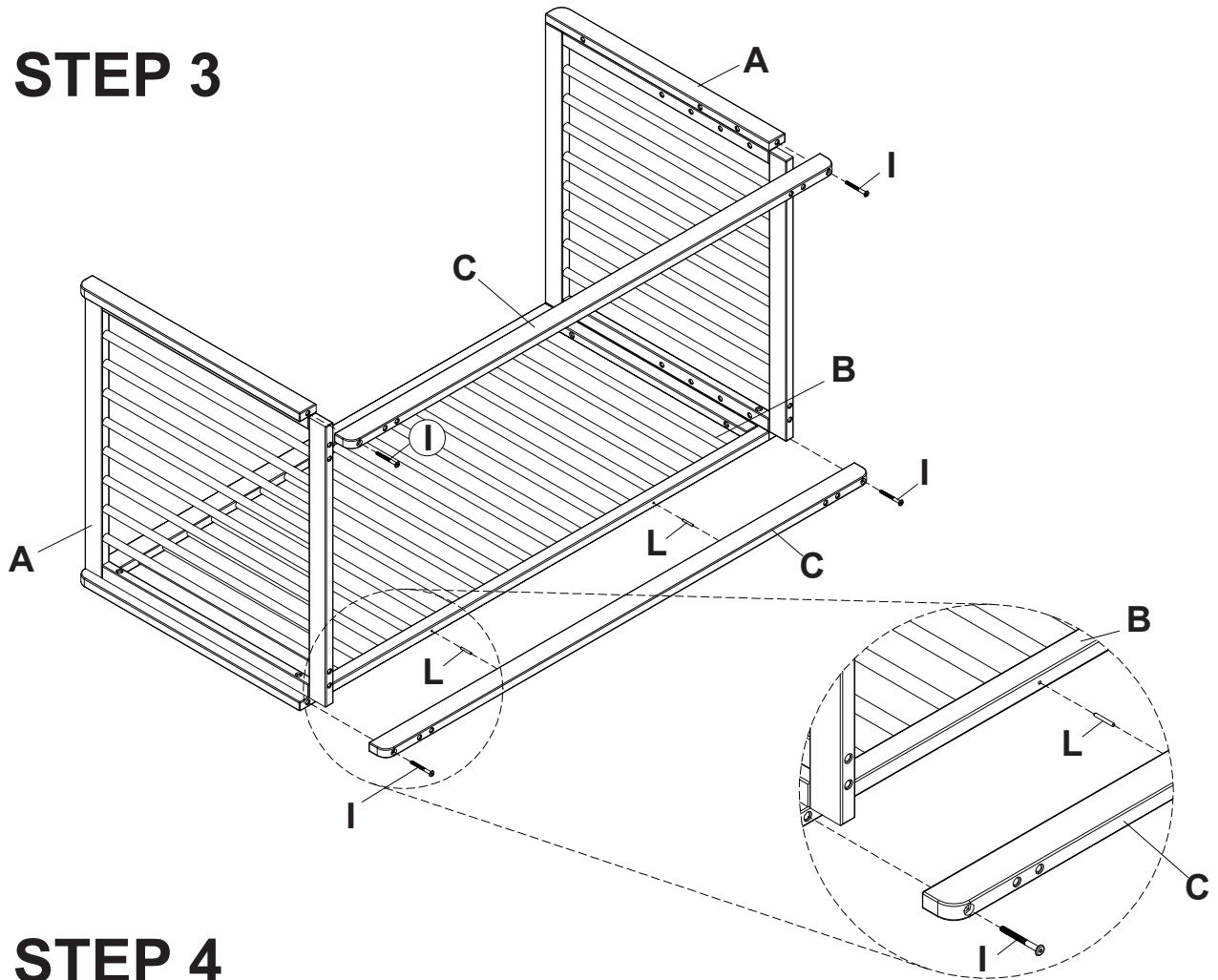
STEP 1



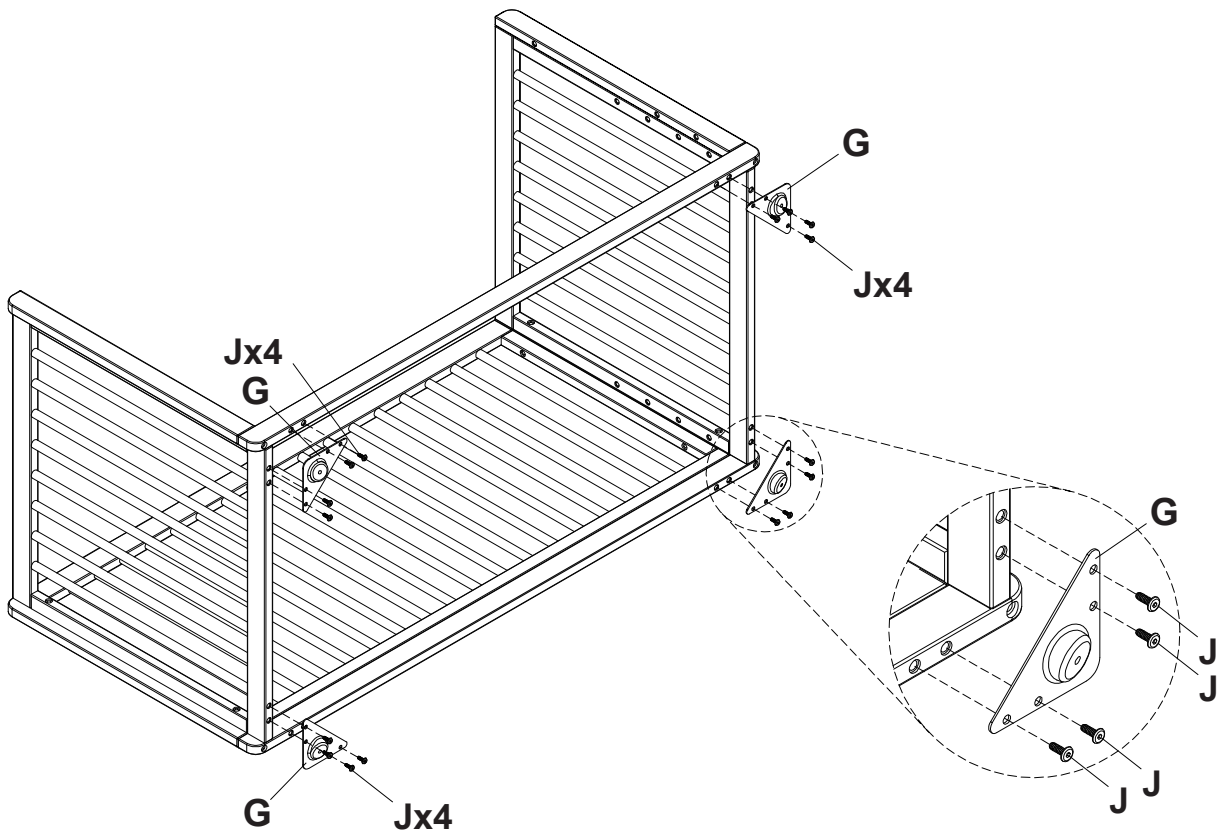
STEP 2



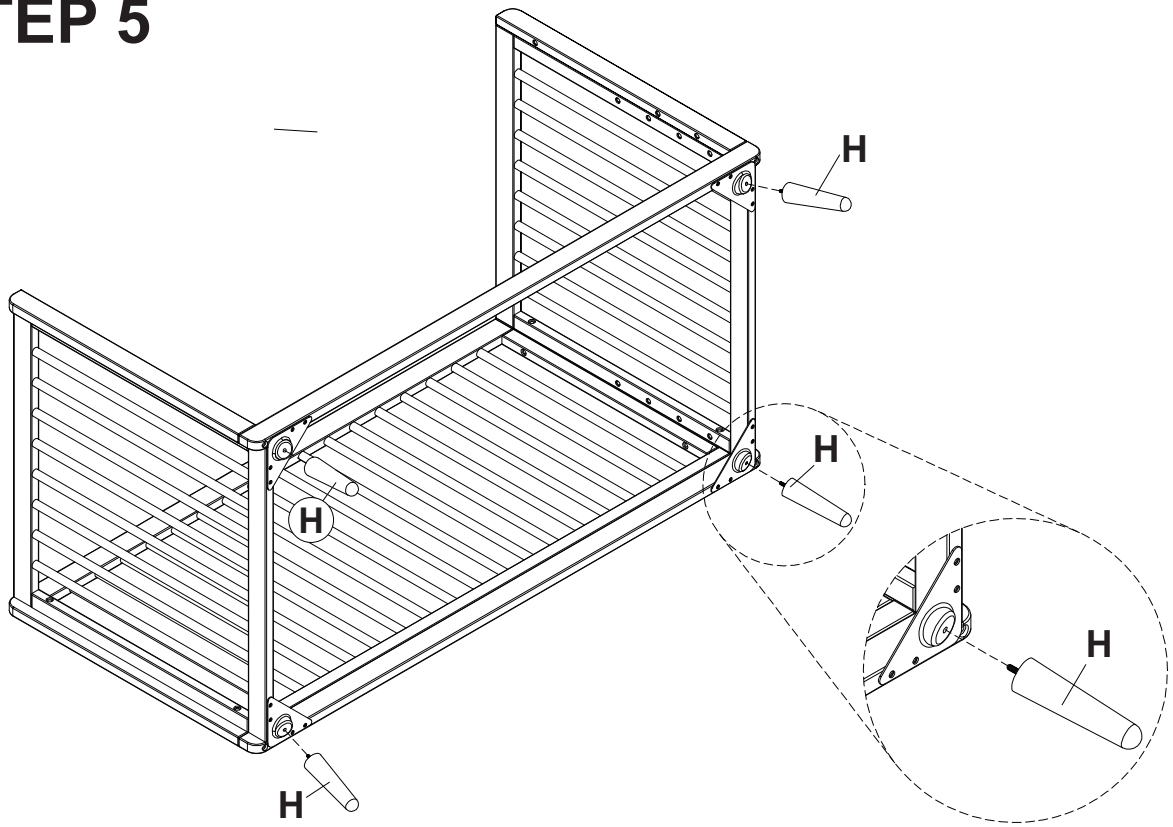
STEP 3



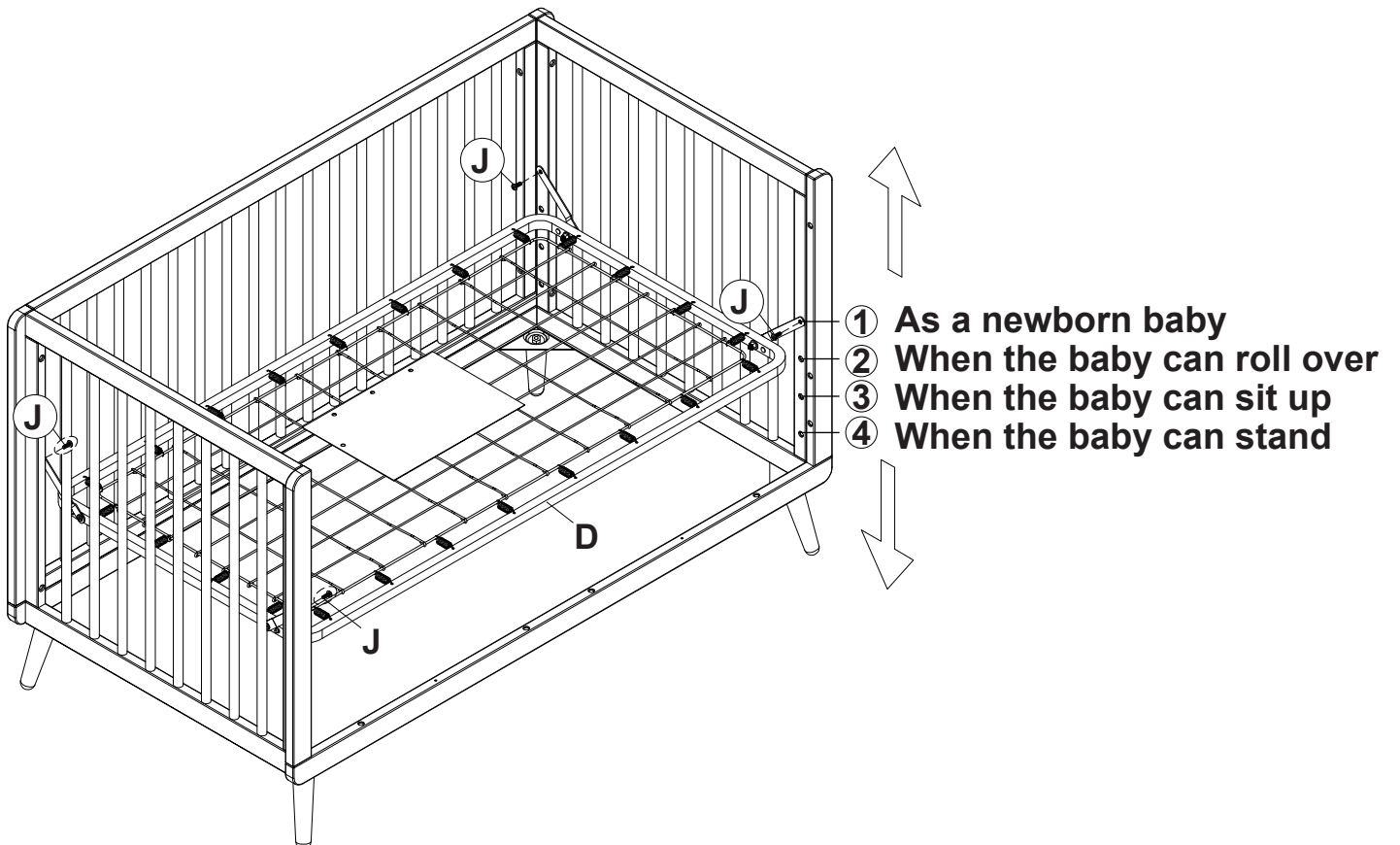
STEP 4



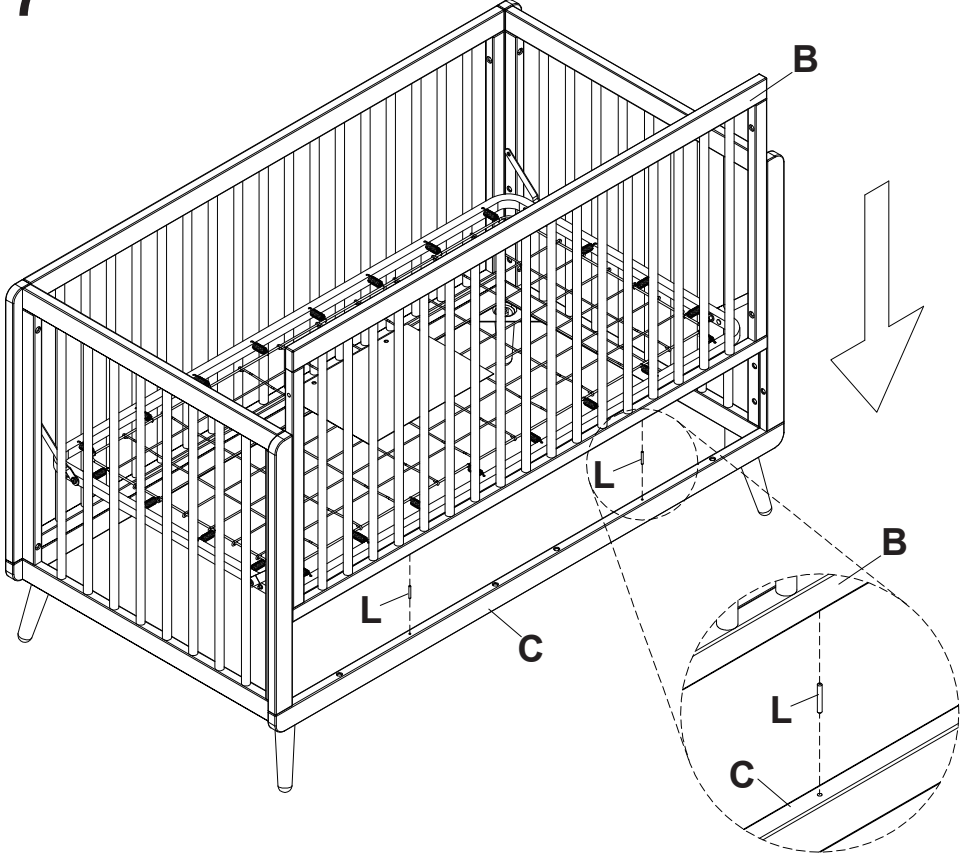
STEP 5



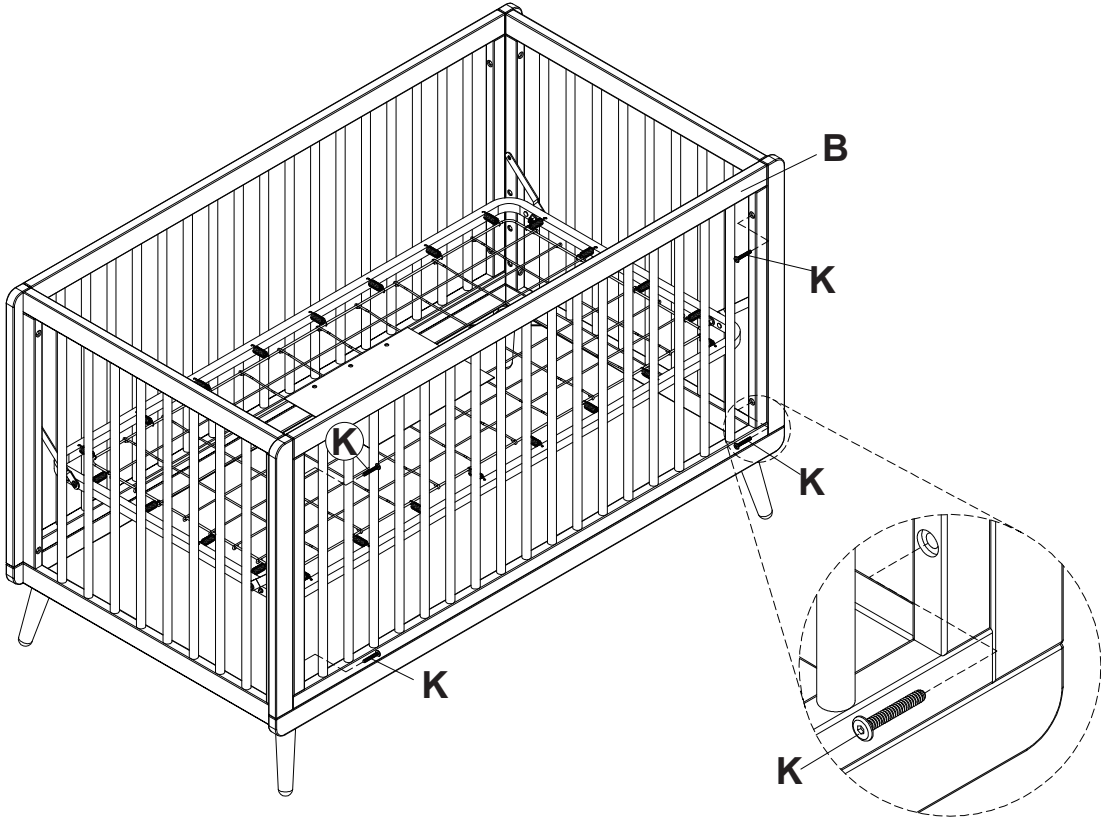
STEP 6



STEP 7

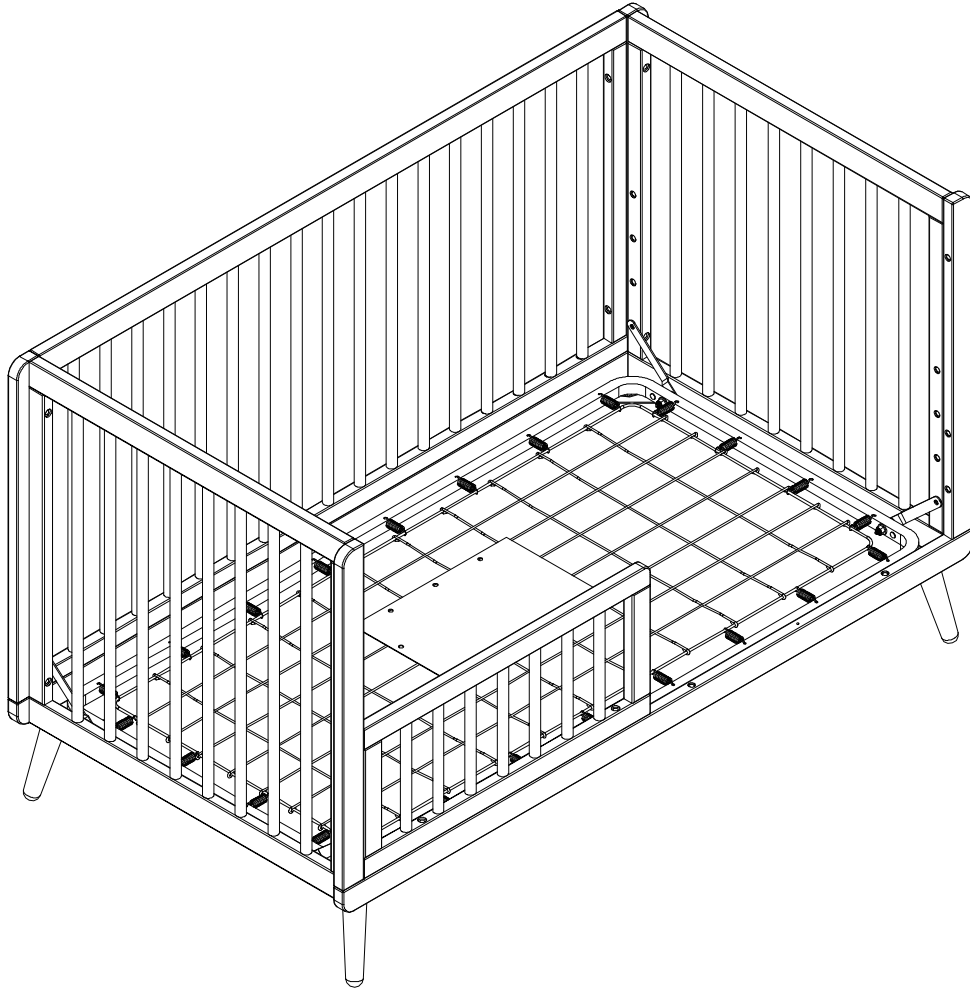


STEP 8



Toddler Bed

(Toddler Guardrail needs to be purchased separately!)

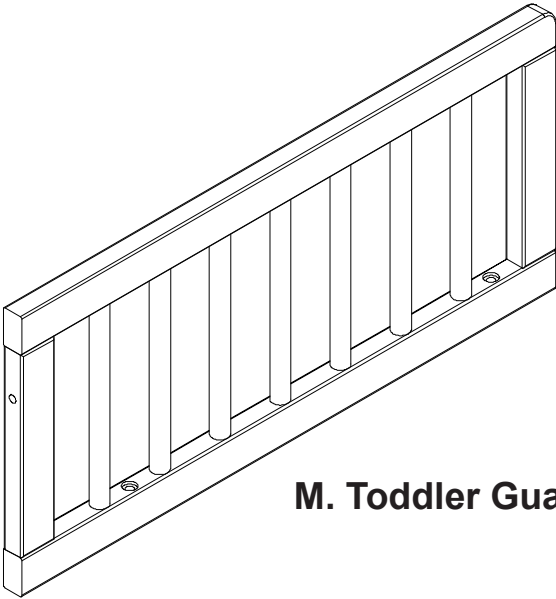


⚠ WARNING!

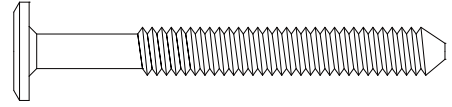
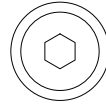
01. Failure to follow these warnings and the assembly instructions could result in serious **INJURY** or **DEATH** from entrapment or strangulation.
02. **DO NOT** place bed near windows where cords from blinds or drapes may strangle a child.
03. **DO NOT** suspend strings over a bed for any reason.
04. **DO NOT** place items with a string, cord, or ribbon around a child's neck, such as hood strings or pacifier cords.
05. **DO NOT** use a toddler bed until children are at least 15 months old, and the **MAXIMUM** weight is 50 lbs (22.7 kg).
06. To avoid dangerous gaps, any mattress used in this bed shall be a full-size crib mattress and **AT LEAST** 51 5/8 inches (1310 mm) in length and 27 1/4 inches (690 mm) in width, and the mattress must be **NO MORE** than 6 inches (150 mm) thick.

All parts

All hardware



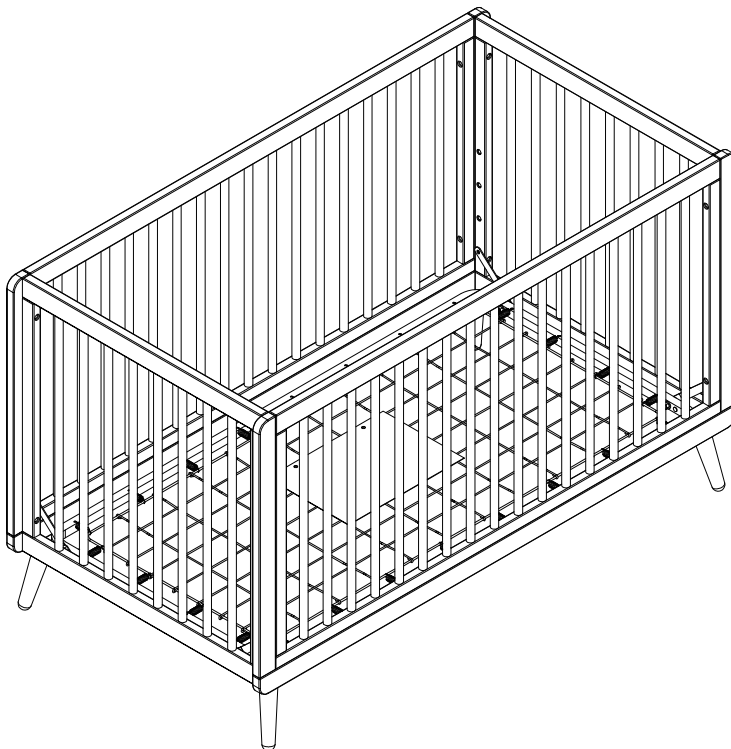
M. Toddler Guardrail x 1



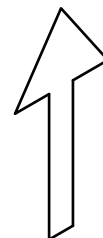
N. M6 x 55 mm Bolt x 3

(Toddler Guardrail needs to be purchased separately!)

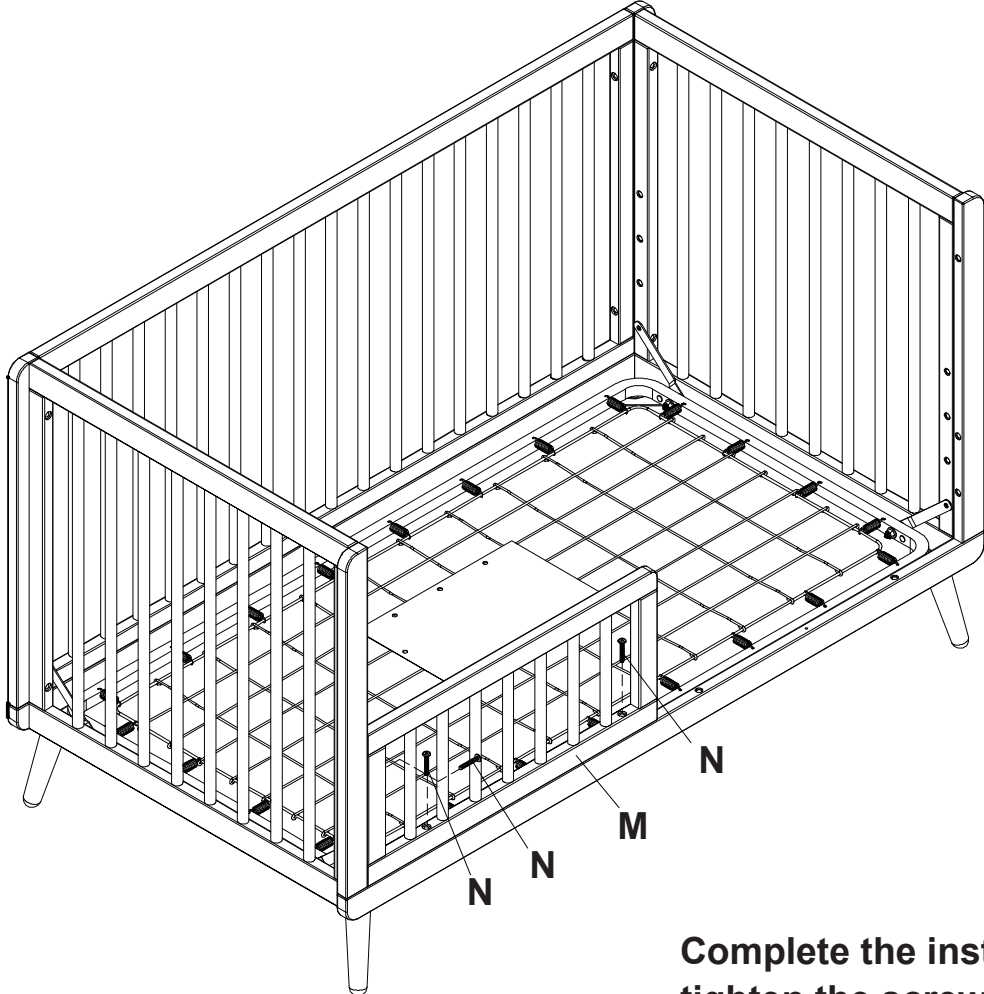
STEP 1



Disassemble the crib rail and move the mattress support to the position of ④ .

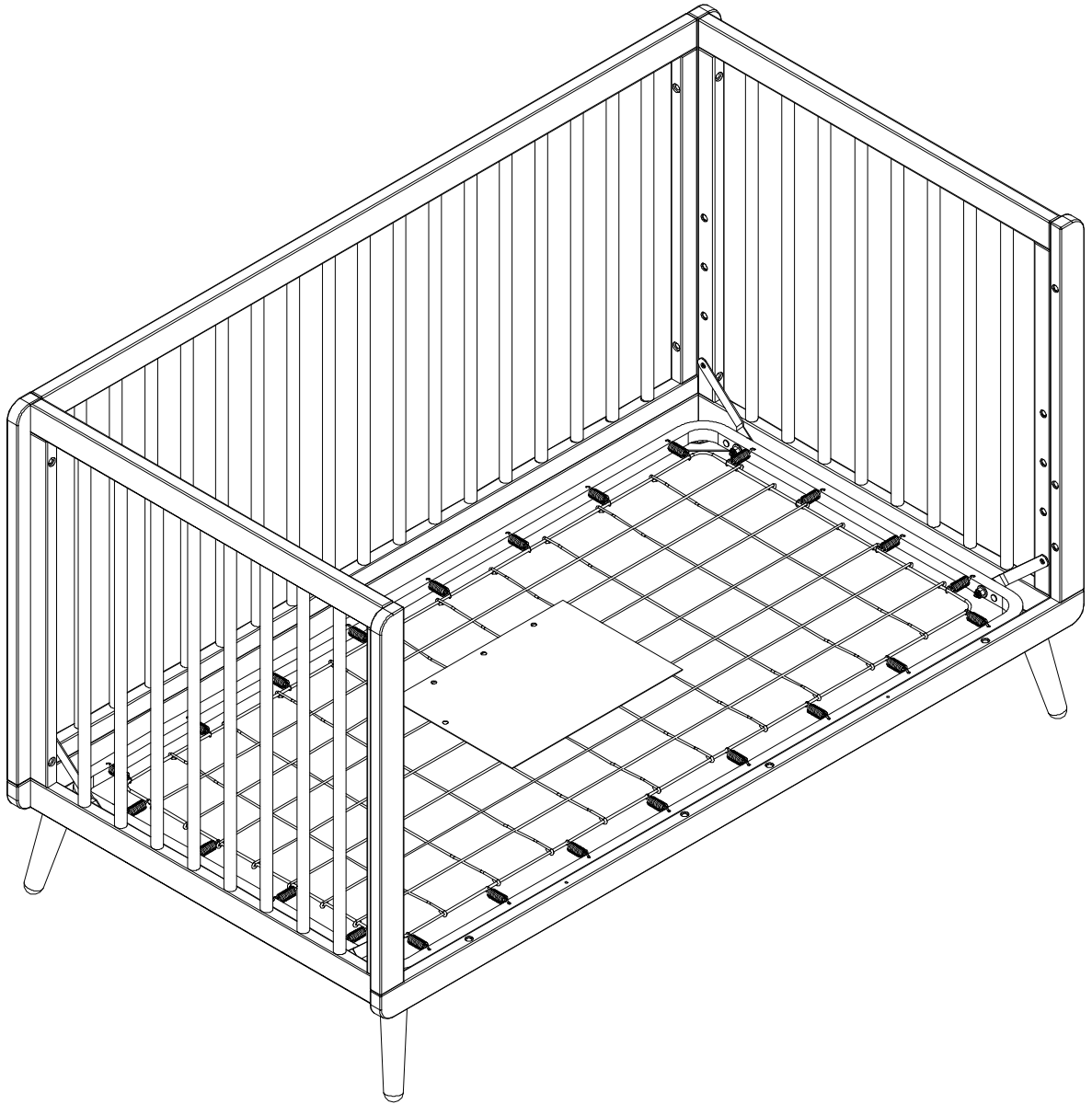


STEP 2

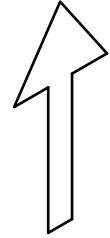
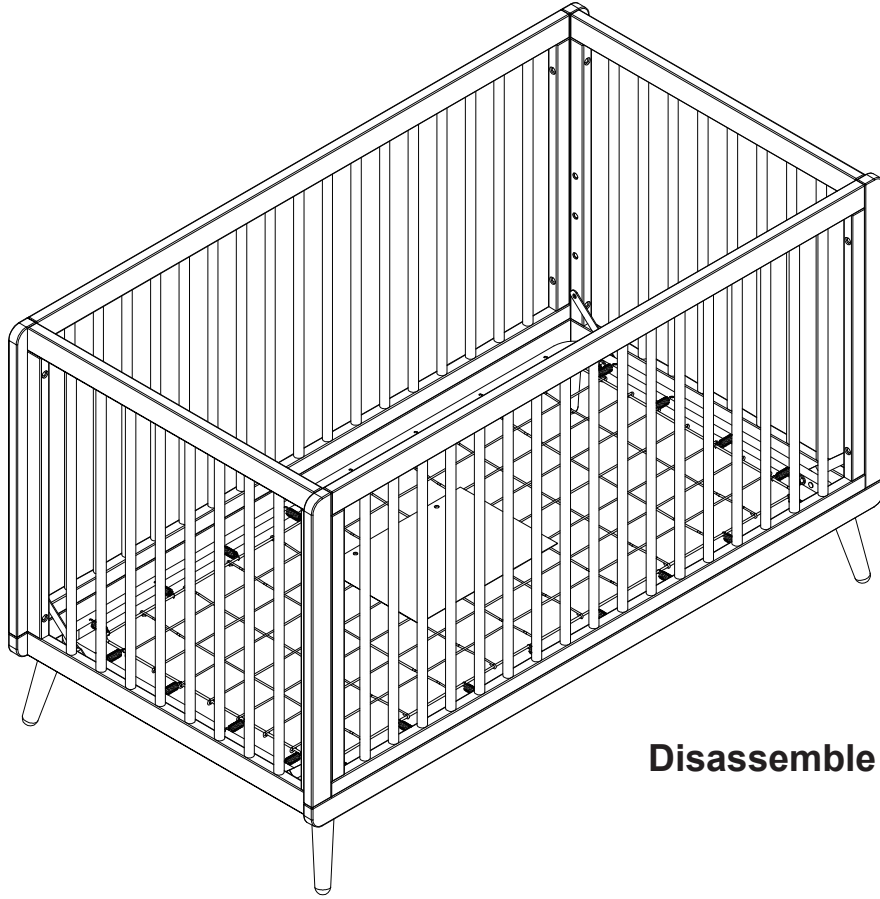


Complete the installation and tighten the screws.

Daybed

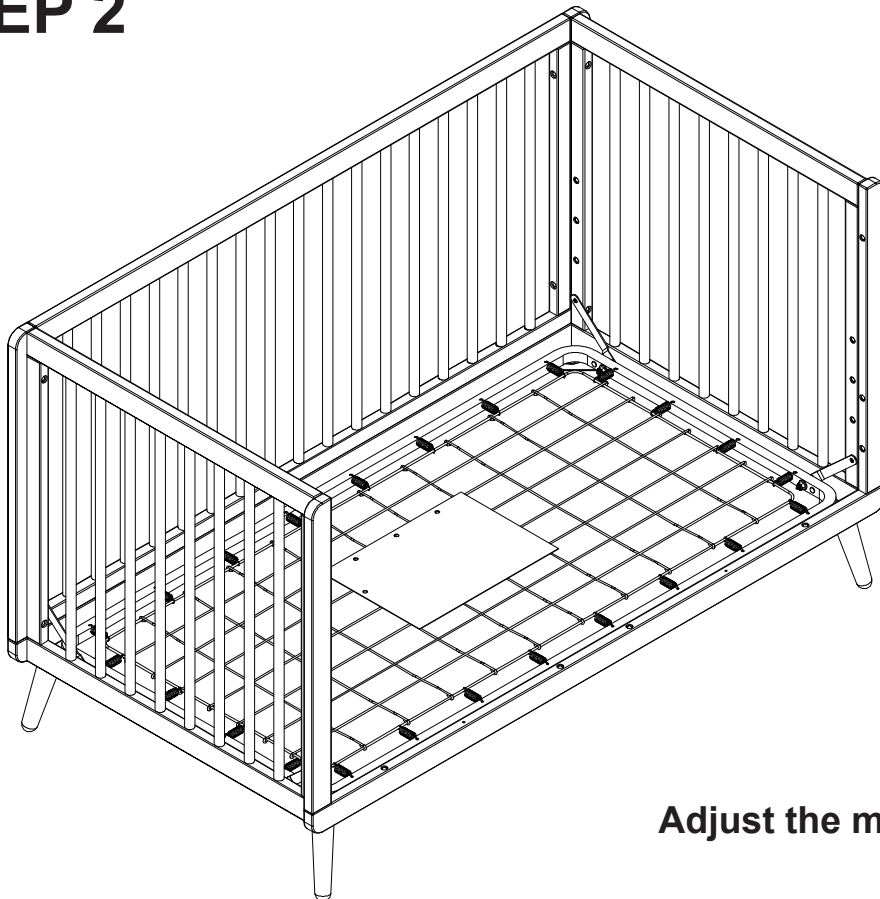


STEP 1



Disassemble the crib rail.

STEP 2



Adjust the mattress support.

Crib Maintenance Guide

01. Do not scratch or chip the finish.
02. Please store the product at room temperature to avoid extreme temperatures and humidity affecting the structure.
03. Maintain your crib by cleaning with a damp cloth and wiping with dry cloth.
04. Do not use any detergents or abrasives to clean.
05. Regularly check the condition of all crib parts and hardware.
06. If refinishing, use a non-toxic finish specified for children's products.

Limited Warranty

This product has a warranty against defects in workmanship or materials for 1 year from the date of purchase under normal use. During the warranty period, if there are any defective parts or hardware, contact us, and we will provide corresponding services in a timely manner.

When contacting us, please provide the following information:

1. The product information and order information.
2. Pictures to demonstrate product issues.
3. The condition description.

If you have any questions, contact us by email: support@albert-baby.com or visit our website: www.albert-baby.com